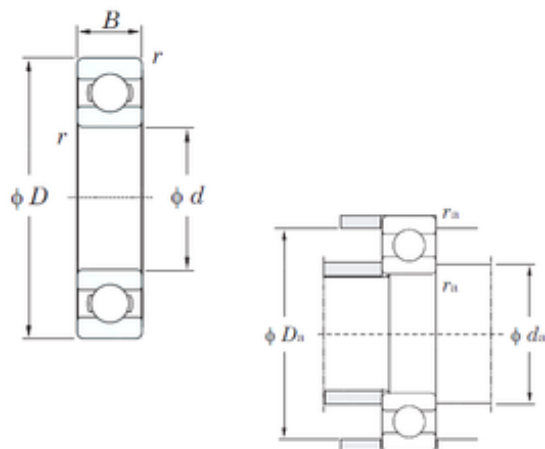




BEARING FORGE OF AMERICA CORP.



6005 Bearing 2D drawings and 3D CAD models

Distributor of NTN Timken NSK Koyo SKF
Ball Bearing 6005 6006 6007 6008 6009 6010 Open
Zz 2RS Bearings for Motorcycle/Engine/Electric
Motor/Pump/Power Generator

Bearing No. 6005

Size	25x47x12 mm
Bore Diameter	25 mm
Outer Diameter	47 mm
Width	12 mm
d	25 mm
D	47 mm
B	12 mm
C	12 mm
r min.	0,6 mm
da min.	29 mm
Da max.	43 mm
ra max.	0,6 mm
Weight	0,08 Kg
Basic dynamic load rating (C)	10,1 kN
Basic static load rating (C0)	5,85 kN
(Grease) Lubrication Speed	15000 r/min
(Oil) Lubrication Speed	18000 r/min
Category	Single Row Ball Bearings
Inventory	0.0
Manufacturer Name	KOYO
Minimum Buy Quantity	N/A
Weight / Kilogram	0.087
EAN	0605790044366



BEARING FORGE OF AMERICA CORP.

Product Group	B00308
Enclosure	Open
Precision Class	ABEC 1 ISO P0
Maximum Capacity / Filling Slot	No
Rolling Element	Ball Bearing
Snap Ring	No
Internal Special Features	No
Cage Material	Steel
Internal Clearance	C0-Medium
Inch - Metric	Metric
Long Description	25MM Bore; 47MM Outside Diameter; 12MM Outer Race Diameter; Open; Ball Bearing; ABEC 1 ISO P0; No Filling Slot; No Snap Ring; No Internal Special Features
Category	Single Row Ball Bearing
UNSPSC	31171504
Harmonized Tariff Code	8482.10.50.68
Noun	Bearing
Keyword String	Ball
Manufacturer URL	http://www.koyousa.com
Manufacturer Item Number	6005
Weight / LBS	0.191
Bore	0.984 Inch 25 Millimeter
Outer Race Width	0.472 Inch 12 Millimeter
Outside Diameter	1.85 Inch 47 Millimeter
Bearing No.	6005
r(min)	0.6
Cr	12.6
C0r	5.85
Cu	0.380



BEARING FORGE OF AMERICA CORP.

f0	14.5
Grease lub.	15000
Oil lub.	18000
da(min)	29
Da(max)	43
ra(max)	0.6
(Refer.) Mass(kg)	0.080