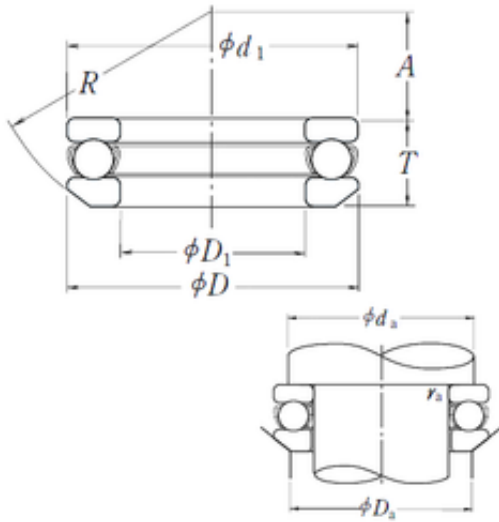




BEARING FORGE OF AMERICA CORP.



NSK 53206 Thrust ball bearings

Bearing No. 53206

Size	30x52x17.8 mm
Bore Diameter	30 mm
Outer Diameter	52 mm
Width	17,8 mm
d	30 mm
D	52 mm
T	17,8 mm
d1	52 mm
r min.	0,6 mm
A	22 mm
D1	32 mm
R	45 mm
da min.	43 mm
Da max.	39 mm
ra max.	0,6 mm
Weight	0,154 Kg
Basic dynamic load rating (C)	29,5 kN
Basic static load rating (C0)	58 kN
(Grease) Lubrication Speed	3400 r/min
Category	Thrust Ball Bearing
Inventory	0.0
Manufacturer Name	NSK
Minimum Buy Quantity	N/A
Weight / Kilogram	0.19
EAN	0029176088179
Product Group	B00308

53206 Bearing 2D drawings and 3D CAD models



BEARING FORGE OF AMERICA CORP.

Rolling Element	Ball Bearing
Thrust Bearing	Yes
Single or Double Direction	Single Direction
Banded	No
Cage Material	Steel
Precision Class	Non-Precision
Component Description	Roller Assembly Plus Raceways
Other Features	Single Row With Aligning Seat
Long Description	30MM Bore 1; 32MM Bore 2; 52MM Outside Diameter; 18MM Height; Ball Bearing; Single Direction; Not Banded; Steel Cage; Non-Precision
Inch - Metric	Metric
Category	Thrust Ball Bearings
UNSPSC	31171552
Harmonized Tariff Code	8482.10.50.08
Noun	Bearing
Keyword String	Ball Thrust
Manufacturer URL	http://www.nskamericas.com
Manufacturer Item Number	53206
Weight / LBS	0.33951
Height	0.709 Inch 18 Millimeter
Overall Height with Aligning Washer	0 Inch 0 Millimeter
Bore 2	1.26 Inch 32 Millimeter
Outside Diameter	2.047 Inch 52 Millimeter
Bore 1	1.181 Inch 30 Millimeter
SRI	4.3
hidYobi	53206
LangID	1



BEARING FORGE OF AMERICA CORP.

D_	52
SREX	0.04
C	29.5
B_	17.8
hidTable	ecat_NSSDTB
Oil rpm	5300
SRE	4.3
mass	0.154
GRS rpm	3400
ra	0.6
SRIX	0.04
D_a	39
SRIN	0
C0	58
SREN	0
D_1	32
Prod_Type3	TB_SD_WAS
da	43
DA_	7.938
Z_	15
yobi	53206
A_	22
T3	17.8
SDM_	41.5
r	0.6
KBRG	5121
R_	45