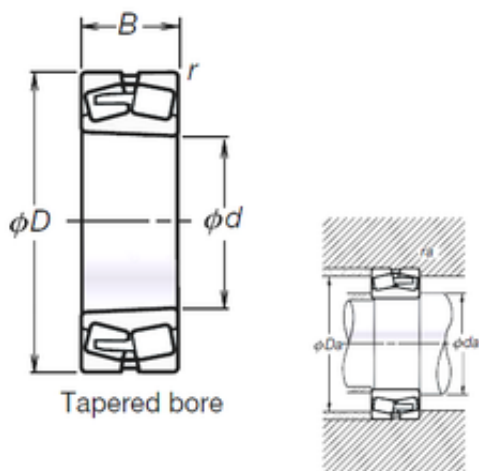




BEARING FORGE OF AMERICA CORP.



170 mm x 360 mm x 120 mm NSK
TL22334CAKE4 Spherical roller bearings

Bearing No. TL22334CAKE4

Size	170x360x120 mm
Bore Diameter	170 mm
Outer Diameter	360 mm
Width	120 mm
d	170 mm
D	360 mm
B	120 mm
C	120 mm
r min.	4 mm
da min.	188 mm
Da min	342 mm
Da max.	304 mm
ra max.	3 mm
Weight	57,9 Kg
Basic dynamic load rating (C)	1580 kN
Basic static load rating (C0)	2110 kN
(Grease) Lubrication Speed	1 000 r/min
(Oil) Lubrication Speed	1 200 r/min
Calculation factor (e)	0,35
Calculation factor (Y0)	1,9
Calculation factor (Y2)	2,9

TL22334CAKE4 Bearing 2D drawings and 3D CAD models