

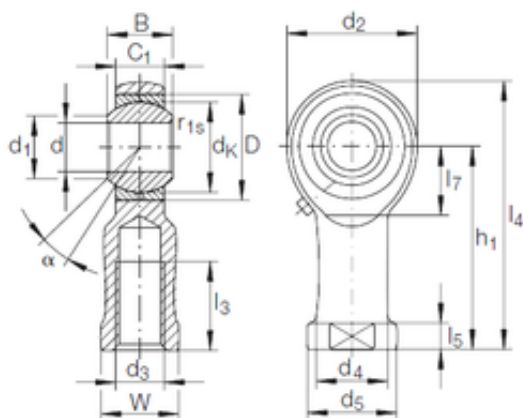


# BEARING FORGE OF AMERICA CORP.

22 mm x 42 mm x 28 mm INA GIKR 22 PB

Plain bearings

Bearing No. GIKR 22 PB



GIKR 22 PB Bearing 2D drawings and 3D CAD models

Size	22x42x28 mm
Bore Diameter	22 mm
Outer Diameter	42 mm
Width	28 mm
d	22 mm
D	42 mm
B	28 mm
d1	25,8 mm
d2	54 mm
d4	30 mm
dk	38,1 mm
h1	84 mm
l3 min.	37 mm
l4 max.	111 mm
l5	12 mm
l7 min.	29 mm
r1 min.	0,3 mm
C1	20 mm
W	32 mm
Thread (G)	M22X1,5
Angle	15 °
d5	38 r/min
Weight	0,54 Kg
Basic dynamic load rating (C)	38 kN